

SkyLine Premium Natural Gas Combi Oven 6GN1/1

ITEM # _____

MODEL # _____

NAME # _____

SIS # _____

AIA # _____


217890 (ECOG61B2G1)

SkyLine Premium Combi Boiler Oven with digital control, 6x1/1GN, gas, programmable, automatic cleaning, boiler in AISI 316

Short Form Specification

Item No.

- Combi oven with digital interface with guided selection.
- Built-in steam generator (in s/s 316L) with real humidity control based upon Lambda Sensor.
 - OptiFlow air distribution system to achieve maximum performance with 5 fan speed levels.
 - SkyClean: Automatic and built-in self cleaning system with integrated descale of the steam generator. 5 automatic cycles (soft, medium, strong, extra strong, rinse-only).
 - Cooking modes: Programs (a maximum of 100 recipes can be stored); Manual (steam, combi and convection cycles); EcoDelta cooking cycle; Regeneration cycle.
 - Automatic backup mode to avoid downtime.
 - USB port to download HACCP data, programs and settings. Connectivity ready.
 - Single sensor core temperature probe.
 - Double-glass door with LED lights.
 - Stainless steel construction throughout.
 - Supplied with n.1 tray rack 1/1 GN, 67 mm pitch.

Main Features

- Digital interface with LED backlight buttons with guided selection.
- Built-in steam generator for highly precise humidity and temperature control according to the chosen settings.
- Real humidity control based upon Lambda Sensor to automatically recognize quantity and size of food for consistent quality results.
- Dry, hot convection cycle (25 °C - 300 °C): ideal for low humidity cooking.
- Combination cycle (25 °C - 300 °C): combining convected heat and steam to obtain humidity controlled cooking environment, accelerating the cooking process and reducing weight loss.
- Low temperature Steam cycle (25 °C - 99 °C): ideal for sous-vide, re-thermalization and delicate cooking.
Steam cycle (100 °C): seafood and vegetables.
High temperature steam (25 °C - 130 °C).
- EcoDelta cooking: cooking with food probe maintaining preset temperature difference between the core of the food and the cooking chamber.
- Pre-set program for Regeneration, ideal for banqueting on plate or rethermalizing on tray.
- Programs mode: a maximum of 100 recipes can be stored in the oven's memory, to recreate the exact same recipe at any time. 4-step cooking programs also available.
- Fan with 5 speed levels from 300 to 1500 RPM and reverse rotation for optimal evenness. Fan stops in less than 5 seconds when door is opened.
- Single sensor core temperature probe included.
- Automatic fast cool down and pre-heat function.
- SkyClean: Automatic and built-in self cleaning system with integrated descale of the steam generator. 5 automatic cycles (soft, medium, strong, extra strong, rinse-only).
- Different chemical options available: solid (phosphate-free), liquid (requires optional accessory).
- GreaseOut: predisposed for integrated grease drain and collection for safer operation (dedicated base as optional accessory).
- USB port to download HACCP data, share cooking programs and configurations.
USB port also allows to plug-in sous-vide probe (optional accessory).
- Back-up mode with self-diagnosis is automatically activated if a failure occurs to avoid downtime.
- Capacity: 6 GN 1/1 trays.
- OptiFlow air distribution system to achieve maximum performance in chilling/heating evenness and temperature control thanks to a special design of the chamber.

Construction

- Double thermo-glazed door with open frame construction, for cool outside door panel. Swing hinged easy-release inner glass on door for easy cleaning.
- Seamless hygienic internal chamber with all

APPROVAL: _____

- rounded corners for easy cleaning.
- 304 AISI stainless steel construction throughout.
- Front access to control board for easy service.
- IPX 5 spray water protection certification for easy cleaning.
- Supplied with n.1 tray rack 1/1 GN, 67 mm pitch.

User Interface & Data Management

- Connectivity ready for real time access to connected appliances from remote and HACCP monitoring (requires optional accessory).
- Connectivity ready for real time access to connected appliances from remote and data monitoring (requires optional accessory - contact the Company for more details).

Sustainability

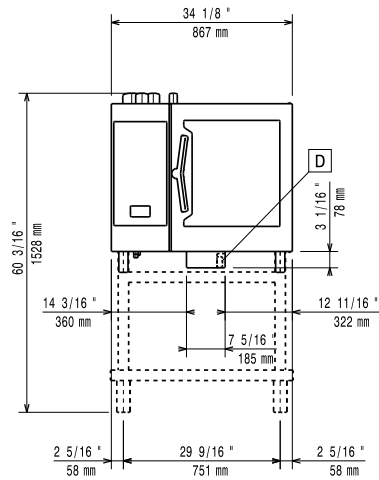
- Human centered design with 4-star certification for ergonomics and usability.
- Wing-shaped handle with ergonomic design and hands-free opening with the elbow, making managing trays simpler. Protected by registered design (EM003143551 and related family).
- Reduced powerfunction for customized slow cooking cycles.

Optional Accessories

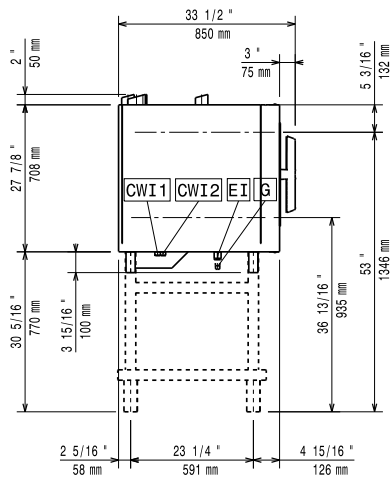
- | | | | | | |
|---|------------|--------------------------|---|------------|--------------------------|
| • External reverse osmosis filter for single tank Dishwashers with atmosphere boiler and Ovens | PNC 864388 | <input type="checkbox"/> | • Kit universal skewer rack and 4 long skewers for Lenghtwise ovens | PNC 922324 | <input type="checkbox"/> |
| • Water softener with cartridge and flow meter (high steam usage) | PNC 920003 | <input type="checkbox"/> | • Universal skewer rack | PNC 922326 | <input type="checkbox"/> |
| • Water filter with cartridge and flow meter for 6 & 10 GN 1/1 ovens (low-medium steam usage - less than 2hrs per day full steam) | PNC 920004 | <input type="checkbox"/> | • 4 long skewers | PNC 922327 | <input type="checkbox"/> |
| • Water softener with salt for ovens with automatic regeneration of resin | PNC 921305 | <input type="checkbox"/> | • Volcano Smoker for lengthwise and crosswise oven | PNC 922338 | <input type="checkbox"/> |
| • Wheel kit for 6 & 10 GN 1/1 and 2/1 GN oven base (not for the disassembled one) | PNC 922003 | <input type="checkbox"/> | • Multipurpose hook | PNC 922348 | <input type="checkbox"/> |
| • Pair of AISI 304 stainless steel grids, GN 1/1 | PNC 922017 | <input type="checkbox"/> | • 4 flanged feet for 6 & 10 GN , 2", 100-130mm | PNC 922351 | <input type="checkbox"/> |
| • Pair of grids for whole chicken (8 per grid - 1,2kg each), GN 1/1 | PNC 922036 | <input type="checkbox"/> | • Grid for whole duck (8 per grid - 1,8kg each), GN 1/1 | PNC 922362 | <input type="checkbox"/> |
| • AISI 304 stainless steel grid, GN 1/1 | PNC 922062 | <input type="checkbox"/> | • Tray support for 6 & 10 GN 1/1 disassembled open base | PNC 922382 | <input type="checkbox"/> |
| • Grid for whole chicken (4 per grid - 1,2kg each), GN 1/2 | PNC 922086 | <input type="checkbox"/> | • Wall mounted detergent tank holder | PNC 922386 | <input type="checkbox"/> |
| • External side spray unit (needs to be mounted outside and includes support to be mounted on the oven) | PNC 922171 | <input type="checkbox"/> | • USB single point probe | PNC 922390 | <input type="checkbox"/> |
| • Baking tray for 5 baguettes in perforated aluminum with silicon coating, 400x600x38mm | PNC 922189 | <input type="checkbox"/> | • IoT module for SkyLine ovens and blast chiller/freezers | PNC 922421 | <input type="checkbox"/> |
| • Baking tray with 4 edges in perforated aluminum, 400x600x20mm | PNC 922190 | <input type="checkbox"/> | • Tray rack with wheels, 6 GN 1/1, 65mm pitch | PNC 922600 | <input type="checkbox"/> |
| • Baking tray with 4 edges in aluminum, 400x600x20mm | PNC 922191 | <input type="checkbox"/> | • Tray rack with wheels, 5 GN 1/1, 80mm pitch | PNC 922606 | <input type="checkbox"/> |
| • Pair of frying baskets | PNC 922239 | <input type="checkbox"/> | • Bakery/pastry tray rack with wheels 400x600mm for 6 GN 1/1 oven and blast chiller freezer, 80mm pitch (5 runners) | PNC 922607 | <input type="checkbox"/> |
| • AISI 304 stainless steel bakery/pastry grid 400x600mm | PNC 922264 | <input type="checkbox"/> | • Slide-in rack with handle for 6 & 10 GN 1/1 oven | PNC 922610 | <input type="checkbox"/> |
| • Double-step door opening kit | PNC 922265 | <input type="checkbox"/> | • Open base with tray support for 6 & 10 GN 1/1 oven | PNC 922612 | <input type="checkbox"/> |
| • Grid for whole chicken (8 per grid - 1,2kg each), GN 1/1 | PNC 922266 | <input type="checkbox"/> | • Cupboard base with tray support for 6 & 10 GN 1/1 oven | PNC 922614 | <input type="checkbox"/> |
| • Grease collection tray, GN 1/1, H=100 mm | PNC 922321 | <input type="checkbox"/> | • Hot cupboard base with tray support for 6 & 10 GN 1/1 oven holding GN 1/1 or 400x600mm trays | PNC 922615 | <input type="checkbox"/> |
| | | | • External connection kit for liquid detergent and rinse aid | PNC 922618 | <input type="checkbox"/> |
| | | | • Grease collection kit for GN 1/1-2/1 cupboard base (trolley with 2 tanks, open/close device for drain) | PNC 922619 | <input type="checkbox"/> |
| | | | • Stacking kit for 6 GN 1/1 oven placed on gas 6 GN 1/1 oven | PNC 922622 | <input type="checkbox"/> |
| | | | • Stacking kit for 6 GN 1/1 oven placed on gas 10 GN 1/1 oven | PNC 922623 | <input type="checkbox"/> |
| | | | • Trolley for slide-in rack for 6 & 10 GN 1/1 oven and blast chiller freezer | PNC 922626 | <input type="checkbox"/> |
| | | | • Trolley for mobile rack for 2 stacked 6 GN 1/1 ovens on riser | PNC 922628 | <input type="checkbox"/> |
| | | | • Trolley for mobile rack for 6 GN 1/1 on 6 or 10 GN 1/1 ovens | PNC 922630 | <input type="checkbox"/> |
| | | | • Riser on feet for 2 6 GN 1/1 ovens or a 6 GN 1/1 oven on base | PNC 922632 | <input type="checkbox"/> |
| | | | • Riser on wheels for stacked 2x6 GN 1/1 ovens, height 250mm | PNC 922635 | <input type="checkbox"/> |
| | | | • Stainless steel drain kit for 6 & 10 GN oven, dia=50mm | PNC 922636 | <input type="checkbox"/> |
| | | | • Plastic drain kit for 6 & 10 GN oven, dia=50mm | PNC 922637 | <input type="checkbox"/> |
| | | | • Grease collection kit for GN 1/1-2/1 open base (2 tanks, open/close device for drain) | PNC 922639 | <input type="checkbox"/> |
| | | | • Wall support for 6 GN 1/1 oven | PNC 922643 | <input type="checkbox"/> |
| | | | • Dehydration tray, GN 1/1, H=20mm | PNC 922651 | <input type="checkbox"/> |
| | | | • Flat dehydration tray, GN 1/1 | PNC 922652 | <input type="checkbox"/> |

- | | | |
|--|--|---|
| <ul style="list-style-type: none"> • Open base for 6 & 10 GN 1/1 oven, disassembled - NO accessory can be fitted with the exception of 922382 PNC 922653 <input type="checkbox"/> • Bakery/pastry rack kit for 6 GN 1/1 oven with 5 racks 400x600mm and 80mm pitch PNC 922655 <input type="checkbox"/> • Stacking kit for 6 GN 1/1 combi oven on 15&25kg blast chiller/freezer crosswise PNC 922657 <input type="checkbox"/> • Heat shield for stacked ovens 6 GN 1/1 on 6 GN 1/1 PNC 922660 <input type="checkbox"/> • Heat shield for stacked ovens 6 GN 1/1 on 10 GN 1/1 PNC 922661 <input type="checkbox"/> • Heat shield for 6 GN 1/1 oven PNC 922662 <input type="checkbox"/> • Kit to convert from natural gas to LPG PNC 922670 <input type="checkbox"/> • Kit to convert from LPG to natural gas PNC 922671 <input type="checkbox"/> • Flue condenser for gas oven PNC 922678 <input type="checkbox"/> • Fixed tray rack for 6 GN 1/1 and 400x600mm grids PNC 922684 <input type="checkbox"/> • Kit to fix oven to the wall PNC 922687 <input type="checkbox"/> • Tray support for 6 & 10 GN 1/1 oven base PNC 922690 <input type="checkbox"/> • 4 adjustable feet with black cover for 6 & 10 GN ovens, 100-115mm PNC 922693 <input type="checkbox"/> • Detergent tank holder for open base PNC 922699 <input type="checkbox"/> • Bakery/pastry runners 400x600mm for 6 & 10 GN 1/1 oven base PNC 922702 <input type="checkbox"/> • Wheels for stacked ovens PNC 922704 <input type="checkbox"/> • Chimney adaptor needed in case of conversion of 6 GN 1/1 or 6 GN 2/1 ovens from natural gas to LPG PNC 922706 <input type="checkbox"/> • Mesh grilling grid, GN 1/1 PNC 922713 <input type="checkbox"/> • Probe holder for liquids PNC 922714 <input type="checkbox"/> • Exhaust hood with fan for 6 & 10 GN 1/1 ovens PNC 922728 <input type="checkbox"/> • Exhaust hood with fan for stacking 6+6 or 6+10 GN 1/1 ovens PNC 922732 <input type="checkbox"/> • Exhaust hood without fan for 6&10 1/1GN ovens PNC 922733 <input type="checkbox"/> • Exhaust hood without fan for stacking 6+6 or 6+10 GN 1/1 ovens PNC 922737 <input type="checkbox"/> • Fixed tray rack, 5 GN 1/1, 85mm pitch PNC 922740 <input type="checkbox"/> • 4 high adjustable feet for 6 & 10 GN ovens, 230-290mm PNC 922745 <input type="checkbox"/> • Tray for traditional static cooking, H=100mm PNC 922746 <input type="checkbox"/> • Double-face griddle, one side ribbed and one side smooth, 400x600mm PNC 922747 <input type="checkbox"/> • Trolley for grease collection kit PNC 922752 <input type="checkbox"/> • Water inlet pressure reducer PNC 922773 <input type="checkbox"/> • Extension for condensation tube, 37cm PNC 922776 <input type="checkbox"/> • Non-stick universal pan, GN 1/1, H=20mm PNC 925000 <input type="checkbox"/> • Non-stick universal pan, GN 1/1, H=40mm PNC 925001 <input type="checkbox"/> • Non-stick universal pan, GN 1/1, H=60mm PNC 925002 <input type="checkbox"/> • Double-face griddle, one side ribbed and one side smooth, GN 1/1 PNC 925003 <input type="checkbox"/> • Aluminum grill, GN 1/1 PNC 925004 <input type="checkbox"/> • Frying pan for 8 eggs, pancakes, hamburgers, GN 1/1 PNC 925005 <input type="checkbox"/> • Flat baking tray with 2 edges, GN 1/1 PNC 925006 <input type="checkbox"/> • Baking tray for 4 baguettes, GN 1/1 PNC 925007 <input type="checkbox"/> | | <ul style="list-style-type: none"> • Potato baker for 28 potatoes, GN 1/1 PNC 925008 <input type="checkbox"/> • Non-stick universal pan, GN 1/2, H=20mm PNC 925009 <input type="checkbox"/> • Non-stick universal pan, GN 1/2, H=40mm PNC 925010 <input type="checkbox"/> • Non-stick universal pan, GN 1/2, H=60mm PNC 925011 <input type="checkbox"/> • Compatibility kit for installation on previous base GN 1/1 PNC 930217 <input type="checkbox"/> <h3 style="margin-top: 10px;">Recommended Detergents</h3> <ul style="list-style-type: none"> • C25 Rinse & Descale tab 2in1 rinse aid and descaler in disposable tablets for Skyline ovens Professional 2in1 rinse aid and descaler in disposable tablets for new generation ovens with automatic washing system. Suitable for all types of water. Packaging: 1 drum of 50 30g tablets. each PNC 0S2394 <input type="checkbox"/> • C22 Cleaning Tab Disposable detergent tablets for SkyLine ovens Professional detergent for new generation ovens with automatic washing system. Suitable for all types of water. Packaging: 1 drum of 100 65g tablets. each PNC 0S2395 <input type="checkbox"/> |
|--|--|---|

Front

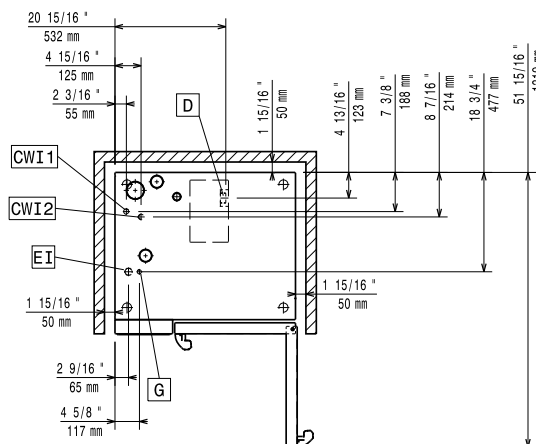


Side



- CWI1 = Cold Water inlet 1 (cleaning) EI = Electrical inlet (power)
 CWI2 = Cold Water Inlet 2 (steam generator)
 D = Drain G = Gas connection
 DO = Overflow drain pipe

Top



Electric

Supply voltage:

217890 (ECOG61B2G1) 220-240 V/1 ph/50 Hz

Electrical power, default:

1.1 kW

Default power corresponds to factory test conditions.

When supply voltage is declared as a range the test is performed at the average value. According to the country, the installed power may vary within the range.

Electrical power max.:

1.1 kW

Circuit breaker required

Gas

Gas Power:

19 kW

Standard gas delivery:

Natural Gas G20

ISO 7/1 gas connection diameter:

1/2" MNPT

Total thermal load:

64771 BTU (19 kW)

Water:

Water inlet connections "CWI1-CWI2":

3/4"

Pressure, bar min/max:

1-6 bar

Drain "D":

50mm

Max inlet water supply temperature:

30 °C

Chlorides:

<20 ppm

Conductivity:

>50 µS/cm

Electrolux Professional recommends the use of treated water, based on testing of specific water conditions.

Please refer to user manual for detailed water quality information.

Installation:

Clearance:

Clearance: 5 cm rear and right hand sides.

Suggested clearance for service access:

50 cm left hand side.

Capacity:

Trays type:

6 - 1/1 Gastronorm

Max load capacity:

30 kg

Key Information:

Door hinges:

External dimensions, Width: 867 mm

External dimensions, Depth: 775 mm

External dimensions, Height: 808 mm

Net weight: 132 kg

Shipping weight: 149 kg

Shipping volume: 0.85 m³

ISO Certificates

ISO Standards:

ISO 9001; ISO 14001; ISO 45001; ISO 50001